



***390 Surface Prep Machine
Operating Manual***

October 31, 2005

Read before use and keep safe

Table of Contents

1.0	Technical Data	Page 2
2.0	Safety	Page 2
3.0	Safety Instructions	Page 2
4.0	Maintenance	Page 4
5.0	Use	Page 4
6.0	Trouble Shooting	Page 6
7.0	Schematics	Page 7



**(800) 624-2408 (530) 626-9386 Fax (530) 626-5144
6686 Merchandise Way Diamond Springs, Ca 95619
www.sineqco.com**

1.0 Technical data/technical description

Power supply	110V AC
Power consumption	1300W
No-load speed	154 / min.
Sound pressure level	54 dB(A)
Sound energy level	67 dB(A)
Hand/Arm-Vibration	4.5 m/s ²
Weight	97 lbs.

Includes: 390 Grinding Machine, Tool Kit,
Operation Manual

2.0 Safety

The Sinclair 390 Surface Prep is state of the art designed and meets all standard safety requirements.

3.0 Safety Instructions

Disconnect the power supply before any maintenance is carried out.

Use only recommended mounting discs and brushes. The mounting discs must have a plain surface.

Use only genuine Sinclair discs and brushes. Other parts could affect the safety of the machine.

Maintenance should be undertaken only by qualified personnel. Use only genuine Sinclair spare parts. Always remove the disc and brushes before transporting the machine. Use only appropriate detergent liquids.



Check the power cord and the plug before starting. Both of them must be in perfect condition, the insulation must not be damaged.

CAUTION!!! Always wear ear and eye protectors! CAUTION!!!

Using this machine without ear and eye protectors may jeopardize or harm your health. It may harm especially your ears and increase the risk of an accident.

PLEASE READ DETAILED SAFETY INSTRUCTIONS ON COLORED SHEET BEFORE USING MACHINE!

3.1 Introduction

This operating manual should be used to get the most benefit from your 390 Surface Prep machine. Following these instructions will both extend the life of your machine and reduce repair costs.

Please make sure you are fully familiar with the operating instructions before using this machine.

3.2 Danger while working with the machine

The 390 Surface Prep is designed to the highest technical standards. Incorrect use can be dangerous!

Use this machine only

- **As instructed in this operating manual**
- **With the machine in perfect working order**

Disturbances that could impair safety have to be eliminated at once.

3.3 Restriction of use

The 390 Surface Prep Machine is exclusively for wet cleaning and polishing of resilient and textile floor coverings and for grinding pavement and leveling compounds in dry environments. It should not be used for any other purpose. Sinclair is not responsible for any damage or loss caused by incorrect use.

3.4 Genuine Spare Parts

Spare parts and accessories are manufactured uniquely for the 390 Surface Prep Machine. It must be emphasized that parts obtained from unauthorized sources must not be used.

Sinclair Equipment Company cannot be held responsible for the performance of or any damage arising from the use of machines in which genuine spare parts have not been used.

This is particularly important with mounting discs, disc and brushes.

4.0 Maintenance

The 390 Surface Prep machine is virtually maintenance free.
The roller bearing and gearbox need not to be lubricated.

Mounting and changing the paper bags of the vacuum unit

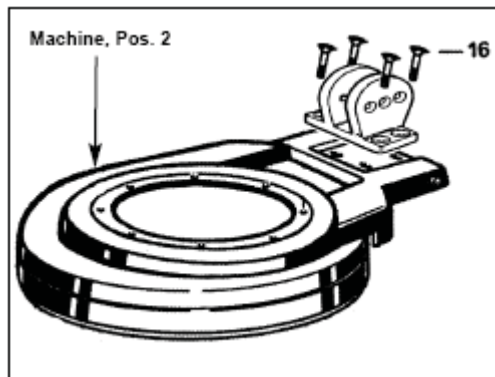
The vacuum unit can be used with paper bags or with the enclosed textile bag.

- release and pull the cover of the vacuum unit upwards
- insert paper bag
- remount the cover
- mount the vacuum ring from the lower side of the machine
- connect the vacuum ring with the vacuum unit with the tubes
- connect the power cord of the vacuum unit with the grinding machine

5.0 Use

Getting started

The 390 Surface Prep is shipped in two separate boxes. Mount the handle with four screws, safety washers and nuts to the machine (Pos. 16).



Connect the power cord of the handle with the machine.



**Mount the handle with the cable entry (5) backwards (towards the user).
Otherwise the machine will not operate.**



Assembly of mounting discs, pads and brushes

Lay the machine down on the handle. Thus the support of the discs is accessible. Put the mounting disc on the actuation and lock it by turning counter-clockwise.

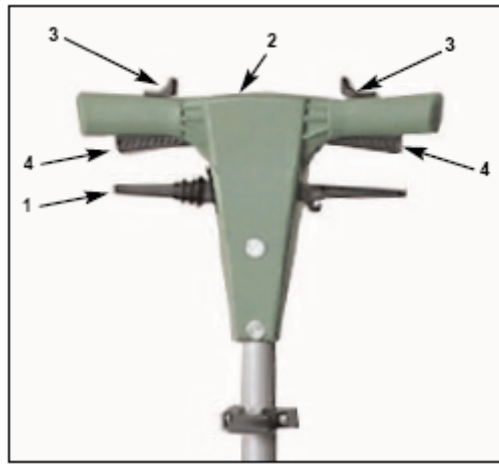
Assembly of the vacuum unit

Assemble the vacuum unit with two supports to the handle.

- insert lower connector into the plastic mounting
- lock the upper connector by shifting the upper plastic mounting down

The upper plastic mounting can be shifted by loosening the screws.

- Mount discs and brushes as described in item
- Connect the vacuum ring and the vacuum with the tubes



- Put the handle (2) in working position with the big, right lever (1). We recommend positioning the handgrip in the height of the user's hip.
- Lift the handle slightly, to make sure the machine stands horizontally.
- Move the left or right safety lock (3) located onto the grip inwards.
- Switch on the machine with the respective lever (4).

After switching on the machine, the handle will move shortly to the right.

The direction in which the machine moves, is controlled by lifting or lowering the grip. The more you lift or lower the grip, the faster the machine runs to the corresponding direction.

- **lifting the grip: machine runs to the right**
- **lowering the grip: Machine runs to the left**



Lever (4) can only be actuated, if the handle is not in vertical position. This is a safety feature! The user cannot control the machine with vertical handle.

If you feel unsafe or cannot control the machine just release lever (4). The machine will stop at once. If you have carried out some training, you will be able to operate the machine with one hand.

Always remove discs or brushes after work. Remove also the cleaning tank, if one has been used. Always disconnect the power cord after work or when leaving the machine.

Operation with vacuum cleaner

Note: the vacuum cleaner cannot – on technical grounds – remove the grinding dust from under the discs. It will always remove the fine dust. To clean the floor, use an industrial cylinder vacuum cleaner.

6.0 Trouble shooting

Trouble	Eventual	Elimination
Machine does not start	Power supply disconnected Blown Fuse Defective cable or plug	Have machine repaired by a qualified electrician, resp. change parts
	Assembly of handle wrong, described in section 5.0	Assemble handle correctly
Switch-on lever cannot be actuated	Safety lever can only be actuated, if handle not vertical	Lower the handle of the machine

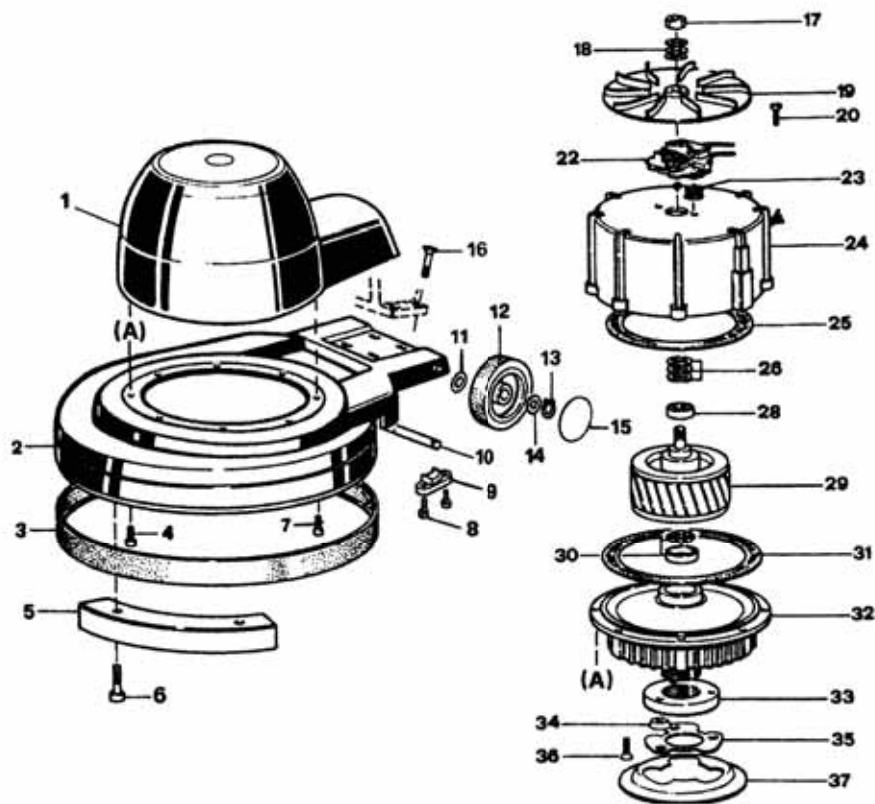
7.0 Schematics

MACHINE		
Schematic #	Part #	Description
1	021625	Top Cover + Motor Housing
2	021626	Base Link
3	021627	Rubber Washer
4	021629	Fastening Screw for Gear
5	021628	Balancing Weight
6	021629	Fastening Screw for Weight
7	021630	Fastening Screw for Housing
8	017284	Screw 4.8 x 13
9	017283	Axle Retainer
10	021631	Wheel Axle
11	018080	Washer
12	016928	Transport Wheel
13	014849	Circlip Ring
14	014830	Washer
15	021633	Wheel Cover
16	014761	Screw
17	015478	Screw Nut for Fan Wheel
18	015481	Washer
19	015480	Fan Wheel
20	015481	Screw M4 x 12
22	015483	Centifugal Switch
23	018417	Isolation Ring
24	018412	Stator 53 (110V/60Hz)
25	015485	Isolation Paper
26	015487	Shim
28	015486	Bearing 6002
29	015488	Rotor (110V/60Hz)
30	015489	Bearing E 20
31	015485	Isolation Paper
32	033964	Complete Gear
33	015492	Drive Hub
34	015402	Spacer
35	015401	Drive Hub Plate
36	014760	Screw for Hub M8 x 20

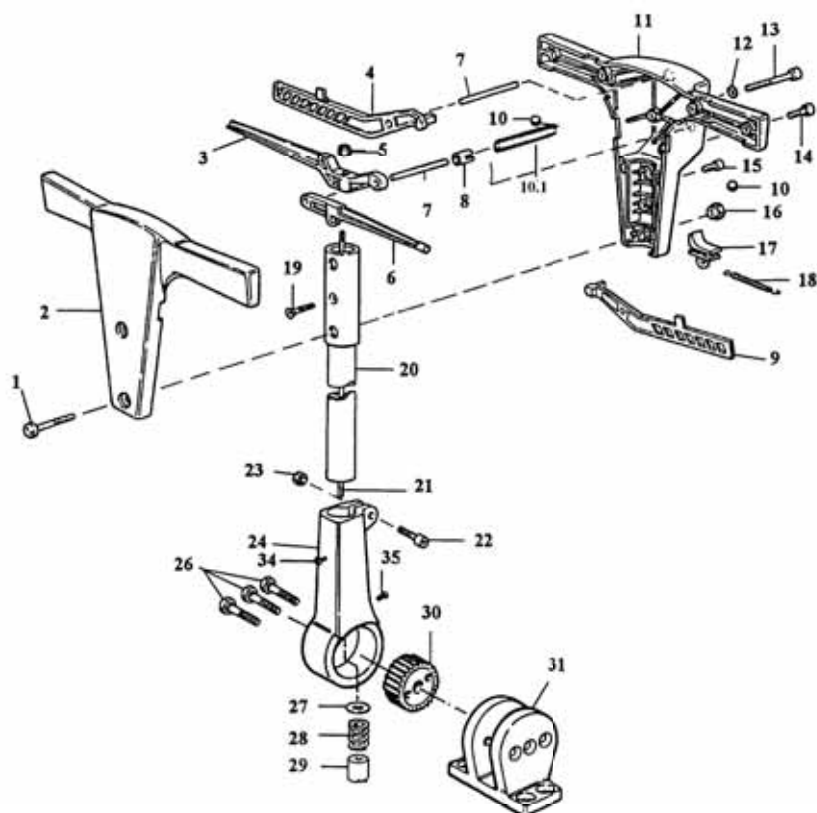
HANDLE		
Schematic #	Part #	Description
1	015439	Screw
2 & 11	014193	Front & Rear Pistol Stock
3	015440	Adjusting Lever for Shaft
4	015441	Lever for Right Switch
5	014814	Screw Nut
6	015442	Lever for Water Supply
7	015443	Splint-Pin
8	015444	Spacer
9	015445	Lever for Left Switch
10	015446	Ball
10.1	018611	Spacer
12	015447	Washer
13	015448	Screw for Handle Housing
14	015449	Screw for Handle
15	015450	Screw for Cover
16	015451	Screw Nut
17	014194	Safety Switch
18	015452	Spring
19	015453	Screw
20	021641	Rod for Handle
21	015455	Pull Rod for Shaft Adjustment
22	014731	Locking Screw for Joint
23	015457	Screw Nut
24	021639	Joint
26	021638	Attachment for Joint
27	014831	Shim
28	015461	Spring
29	015462	Retention Pin
30	016922	Gear Rim
31	021642	Pivot Bracket
34	015467	Pin
35	015468	Screw for Retention Pin
36	032678	Handle, Complete #1-35
37	032680	Grip, Complete #1-18
38	032681	Joint, Complete #22-24; 26-28

<i>ELECTRICAL INSTALLATION</i>		
Schematic #	Part #	Description
1	021637	Switch Holder
3	015493	Fastening Screw
4	015514	Switch
5	018014	Screw for Fixed Link
6	018027	Screw for Cover
7	015496	Cable Clip
8	015497	Holding Device
9	015498	Protective Rubber Sleeve
10	014195	Cable + Connector Plug
11	015500	Cable Support
12	015499	Main Power Cord 15mm
13	018419	Screw Nut
14	033965	Spare Socket
15	015502	Socket
16	018332	Screw
17	021662	Socket Cover
18	015503	Starting Condensor 156MF
19	015504	Screw
20	015505	Operating Capacitor 31.5MF
21	033962	Socket Cover

GEAR		
Schematic #	Part #	Description
31	015507	Oil Seal Washer
32	033963	Top Cover
33	018422	O-Ring
34	018237	Washer
35	015489	Bearing E20
36	018424	Lay Shaft
37	018425	Bearing 16-004
38	018426	Bearing E15
39	015508	Gear Shaft
40	015509	Gear
41	018427	Gear Holder
42	018428	Bearing 16.001
43	018429	Planetary Box
44	015510	Oil Seal Washer
45	015511	Washer
46	018219	Grup Screw M4 x 10

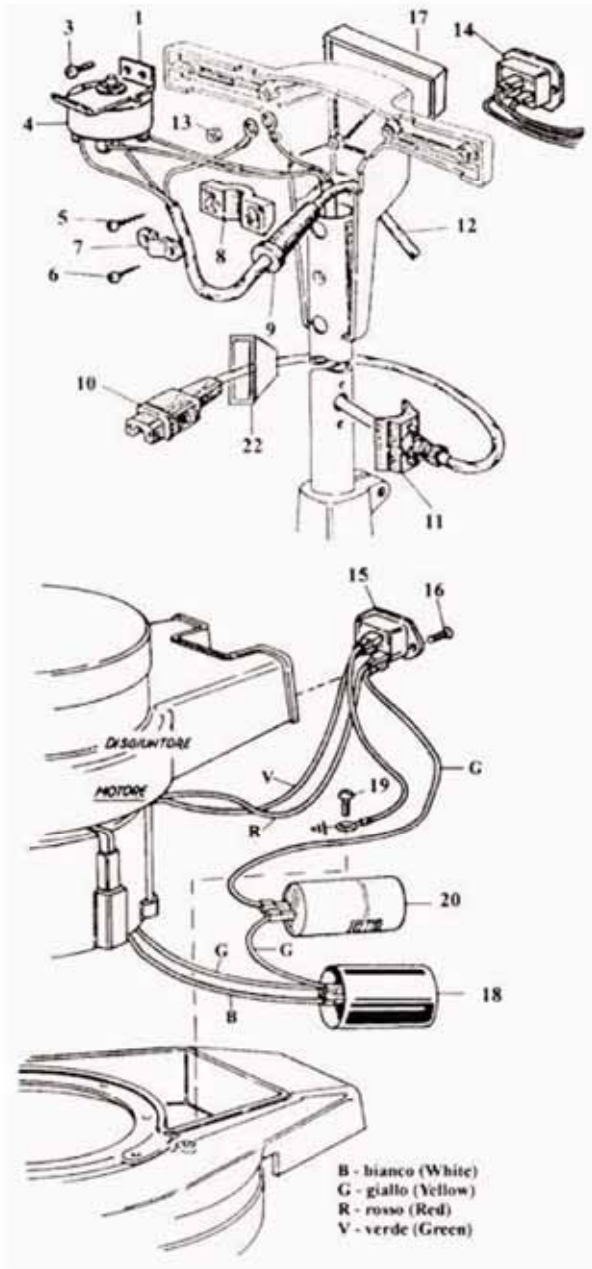


Machine

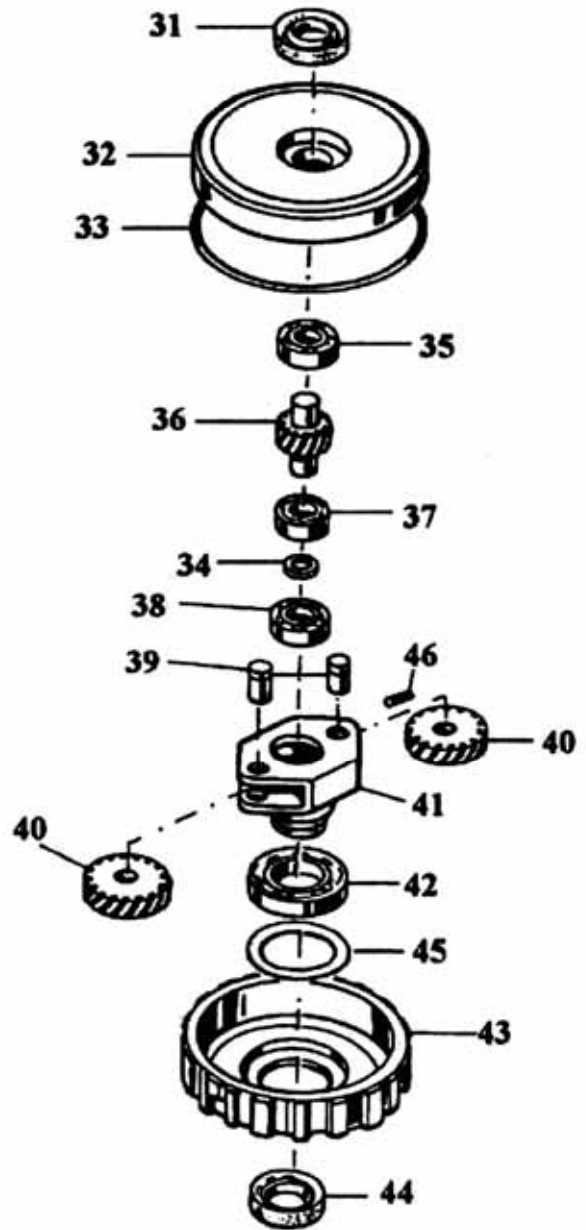


Handle

Electrical Installation



Gear



“New Style,” Green 390 Surface Prep Schematic

Vacuum



Schematic#	Part#	Description
1	SP014038	Tube with branch connection
2	SP014039	Extraction ring with brushes
3	SP015352	Branch connection
4	SP015353	Brushes
5	SP015354	Adapter
6	SP015355	Supporting cage
7	SP015356	Suction Case
8	106055	Paper Bags 10/pk

STANDARD WARRANTY

SINCLAIR EQUIPMENT COMPANY'S tools are warranted to be free of defects in workmanship and materials for a period of one year from the date of original purchase. Should any trouble develop during this one year period, return the complete tool, freight prepaid, to SINCLAIR'S authorized Service Center. If inspection shows the trouble is caused by defective workmanship or materials, SINCLAIR EQUIPMENT COMPANY will repair, or, at its option, replace without charge.

- This warranty does not apply to malfunctions caused by damage, unreasonable use, faulty repairs made by others, or failure to provide recommended maintenance.
- The warranty is void if the product is altered by the original consumer purchaser, or if it is used in a manner not recommended by the manufacturer.
- The warranties do not cover consequential damages or transportation charges incurred with the replacement or repair of SINCLAIR EQUIPMENT COMPANY products.
- Not responsible for lost job or down time.

In no event shall SINCLAIR be liable for any indirect, incidental, or consequential damages from the sale or use of the product. This disclaimer applies both during and after the term of this warranty.

SINCLAIR EQUIPMENT COMPANY disclaims liability for any implied warranties, including implied warranties of "merchantability" and "fitness for a specific purpose", after the one year term of this warranty.

This warranty gives you specific legal rights, and you may have other rights which vary from state to state. Should you have any questions, contact SINCLAIR EQUIPMENT COMPANY at (530) 626-9386.

To obtain warranty service, deliver or send the complete tool, prepaid, to SINCLAIR EQUIPMENT COMPANY. Be sure to include the following information:

- Nature of failure;
- Name and address of distributor where tool was purchased;
- Application of tool when rendered defective; and
- Proof of purchase.

To obtain individual repair parts, contact SINCLAIR EQUIPMENT COMPANY with the following information:

- Tool model number;
- Item part number; and
- Description of part.

Notes