



JUNIOR STRIPPER
Operating Manual

Read before use and keep safe

Table of Contents

| | | |
|-----|---------------------|--------|
| 1.0 | Technical Data | Page 2 |
| 2.0 | Safety | Page 2 |
| 3.0 | Safety Instructions | Page 2 |
| 4.0 | Maintenance | Page 3 |
| 5.0 | Use | Page 4 |
| 6.0 | Trouble Shooting | Page 5 |
| 7.0 | Spare Parts | Page 6 |
| 8.0 | Schematic | Page 7 |



(800) 624-2408 (530) 626-9386 Fax (530) 626-5144
6686 Merchandise Way Diamond Springs, Ca 95619
www.sineqco.com

1.0 Technical data/technical description

| | |
|----------------------|------------------------------------------------------------------------------------------------------------|
| Power supply | 120V AC |
| Power consumption | 710W |
| Speed | 10.000 r.p.m. |
| Sound pressure level | 108 dB(A) |
| Sound energy level | 121 dB(A) |
| Hand/Arm-Vibration | 12.5m/s ² |
| Weight | 8 lbs. |
| Comes with | Junior Stripper, 4.5 inch rigid blade, wrench, eye and ear protection, carrying case, and operating manual |

2.0 Safety

The Sinclair Junior Stripper has Class 2 protective insulation. It meets the following safety specifications:

DIN VDE 0740, CENELEC HD 400,
IEC 745, VBG 7j (National spec)

The machine has radio interference suppression to the standards
76/889/EWG, 87/308EWG
EN 55014

3.0 Safety Instructions

Disconnect the power supply before any maintenance is carried out.

Use only recommended blades and ensure it is sharp before starting.

Only qualified personnel should undertake maintenance. Use only genuine Sinclair spare parts.

CAUTION!!! Always wear ear and eye protectors! CAUTION!!!

Using this machine without ear and eye protectors may jeopardize or harm your health. It may harm especially your ears and increase the risk of an accident.

***PLEASE READ DETAILED SAFETY INSTRUCTIONS ON COLORED SHEET BEFORE USING MACHINE!**

3.1 Introduction

This operating manual should be used to get the most benefit from your Junior Stripper. Following these instructions will both extend the life of your machine and reduce repair costs.

Please make sure any user of the machine is fully familiar with the instructions for use before allowing work to start.

3.2 Danger while working with the machine

The Junior Stripper is designed to the highest technical standards.
Incorrect use can be dangerous!
Use this machine only

- **as instructed in this operating manual**
- **with the machine in perfect working order**

Disturbances that could impair safety must be eliminated at once.

3.3 Restriction of use

The Junior Stripper is exclusively for removing bonded floor covering in dry environments. It should not be used for any other purpose. Sinclair Equipment Company cannot be held responsible for any damage or loss caused by incorrect use.

Correct use also includes:

- to take care of all directions from the operating manual and
- the execution of maintenance and service.

3.4 Genuine Spare Parts

Spare parts and accessories are manufactured uniquely for the Junior Stripper. It must be emphasized that parts obtained from unauthorized sources must not be used.

Sinclair Equipment Company cannot be held responsible for the performance or any damage arising from the use of machines in which genuine spare parts have not been used.

This is particularly important with replacement blades.

4.0 Maintenance

The Junior Stripper is maintenance free.

Changing the blade

Disconnect the power supply and put on the blade protection before changing the blade.

Loosen the 6 hexagon socket screws and replace the blade.

Tighten the screws again carefully.

Replacing the carbon brushes

The motor is equipped with carbon brushes with an automatic switch off as soon as the carbon brushes get abraded. This avoids damages at the collector.

If the carbon brushes get replaced at residual length of 0.30 inches, you can block the machine from switching off automatically. Both carbon brushes have to be replaced at the same time.

Disconnect power supply
Screw off hood
Replace carbon brushes
Attach hood again

5.0 Use

The Junior Stripper removes bonded, flexible floor covering in strips. This procedure corresponds with the customary method of using a hand floor scraper. The stripper works with a rigid steel blade at very high frequency, minimizing vibration and noise.

Before stripping, the floor covering only needs to be cut into strips of the blades width.

To begin, cut one strip crosswise. Then lift the floor slightly in order to get the blade underneath it. We recommend cutting the first strip at right angles to the main working direction. This makes access to the next strips easier

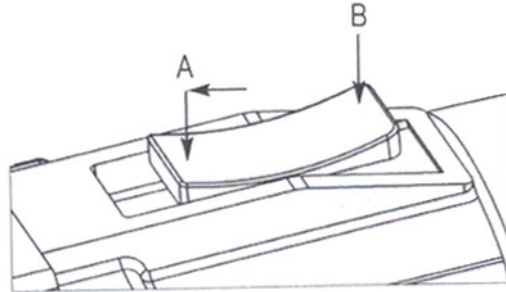
Cut the strips smaller if the floor covering is bonded very securely, i.e. with an epoxy adhesive.

The floor pavement sharpens the blades. Therefore, the blade only has to be changed if it becomes worn.

5.1 Switch-On/Off

Switch-on – Start the machine by pushing switch (A) forward. The switch resets automatically. The machine keeps running.

Switch-off – Press the switch at the rear part (B). The switch gets released and the machine is switched off.



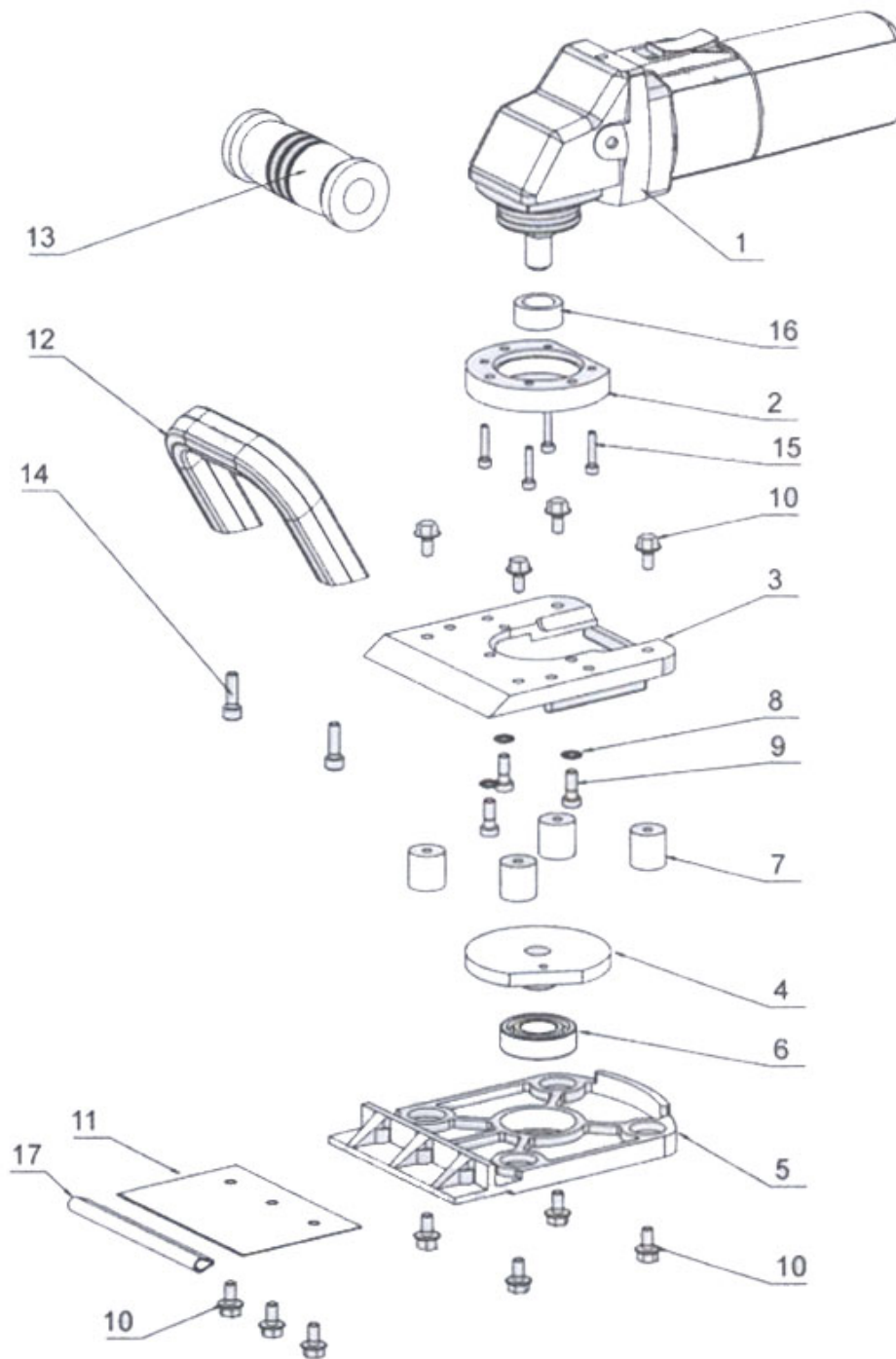
6.0 Trouble shooting

| <u>Trouble</u> | <u>Eventual cause</u> | <u>Elimination</u> |
|---------------------------------------------|----------------------------------------------------------------------------------|-----------------------------------------------------------------------------|
| Machine does not start | -Power supply disconnected -Blown fuse -Defective cable -Defective plug | Have machine repaired by a qualified electrician, respectively change parts |
| Undue force necessary to strip the flooring | Blade is blunt | Change blades |
| Excessive vibration | Expendable parts are worn out | Return machine for service and/or repair |

7.0 Jr. Stripper Spare Parts

| Schematic # | Description | New Part# |
|--------------------|-----------------------|------------------|
| 1 | Motor 120V | J019544 |
| 2 | Adaptor flange | J017921 |
| 3 | Striking cap | J017586 |
| 4 | Excentric plate | J017884 |
| 5 | Striking foot | J015187 |
| 6 | Ball bearing 20X42X12 | J014703 |
| 7 | Rubber bearing | J014929 |
| 8 | Washer M6 | J014859 |
| 9 | Cyl. Screw M6x10 | J014728 |
| 10 | Safety screw M6x10 | J014747 |
| 11 | Blade, 120mm | CATALOG |
| 12 | Handle | J017888 |
| 13 | Handle cover | J014923 |
| 14 | Cyl. Screw M6x12 | J014752 |
| 15 | Screw M4x20 | J017725 |
| 16 | Bushing | J017949 |
| 17 | Blade protection | J015317 |

Jr. Stripper



Effective 03/24/04

TURBO/EXTRO/SUPER STRIPPER

***Super Stripper uses 12" Blades Only**

#10-4804 6" Rigid, #10-4803 8" Rigid Blade. Use these blades for difficult removal like, epoxy, rubber floors, sport surfaces, etc. Always position these blades to far left hand side of machine.

,#10-4652 12" Rigid Blade, #10-4802 14" Rigid Blade. The standard blade for carpet, vinyl or adhesive removal, pre-cutting of the floor is needed.

#10-4651 12" Flexible Blade. For use with the Super Stripper on uneven concrete surfaces and some soft foam back carpet.

#10-4801 14" Flexible Blade. For use with the Turbo/Extro Stripper on uneven concrete surfaces and some soft foam back carpet.

#10-4801D 14" Self-Dicing Blade. For use on carpet, rubber or vinyl. A real time saver, on pre-cutting necessary since blade will cut strips with knife edged sides.

#10-4651T 12" Tile Blade. For use on VAT and VCT tile. Prevents tile from jamming in between blade and blade holder. A must for tile removal to protect blade holder.

#10-4807 14" X 5" Ceramic/Parquet Blade. Ideal for removal for ceramic tile, marble, parquet, and other wood floors. Precutting needed for plank floors.

#10-4809 Special Ceramic/Parquet Blade. This ¼" thick heavy duty blade is designed especially for the ceramic tile and hardwood/parquet removal applications. The 14" wide blade extends out nearly 4" and is designed at a specific angle to work more efficiently in cutting and lifting of thick materials. Best suited for the long run, constant use in tile/wood applications for extended life and performance.

BRAVO/DURO/ECO STRIPPER

#10-4906 8" Rigid Blade. Our standard blade for removal of vinyl, carpet, adhesive, etc. Bevel edge of blade should be up for concrete and down for wood sub-surfaces. Precutting of carpet and vinyl needed.

#10-4904 8" Flexible Blade. Same as above, yet for uneven concrete surfaces and some soft foam back carpet.

#10-4907T 8" Tile Blade. For use on VAT and VCT tile. Prevents tile from jamming in between blade and blade holder. A must for tile removal to protect blade holder.

#10-4909 8" Razor Blade Attachment. An adapter to secure razor blades for removal of adhesives, paints and thin films. Inexpensive and an excellent choice for complete clean up after floor covering removal. **#11-525 8" Razor blades** for Razor Blade Attachment.

#10-4903 8" X 5" Rigid Blade. Ideal for hard to reach areas such as toe kicks, under radiators, etc. Also used for clean up of small areas of parquet, ceramic, etc.

#10-4906D 8" X 2.5" Rigid Self-Dicing Blade. For use on carpet, rubber or vinyl. A real time saver, on pre-cutting necessary since blade will cut strips with knife edged sides.

JUNIOR STRIPPER

#10-4641 4.5" Rigid Blade #10-4642 5.5" Rigid Blade #10-4643 8" Rigid Blade

The standard blade for removal, of cushion back and soft vinyls on wood or concrete surfaces, wallpaper, paint and abatement removal.

#10-4643F 8" Flexible Blade - Same as above, yet for uneven surfaces.

NOTE: All jobs can vary in difficulty of removal. Whatever blade you are using it may be necessary to take a smaller bite in removal so it is less stressful on the operator as well as the machine. If you have any questions on blade selection or choice of machine, please do not hesitate to call Sinclair Equipment Company or your nearest distributor.

STANDARD WARRANTY

SINCLAIR EQUIPMENT COMPANY'S tools are warranted to be free of defects in workmanship and materials for a period of one year from the date of original purchase. Should any trouble develop during this one year period, return the complete tool, freight prepaid, to SINCLAIR'S authorized Service Center. If inspection shows the trouble is caused by defective workmanship or materials, SINCLAIR EQUIPMENT COMPANY will repair, or, at its option, replace without charge.

- This warranty does not apply to malfunctions caused by damage, unreasonable use, faulty repairs made by others, or failure to provide recommended maintenance.
- The warranty is void if the product is altered by the original consumer purchaser, or if it is used in a manner not recommended by the manufacturer.
- The warranties do not cover consequential damages or transportation charges incurred with the replacement or repair of SINCLAIR EQUIPMENT COMPANY products.
- Not responsible for lost job or down time.

In no event shall SINCLAIR be liable for any indirect, incidental, or consequential damages from the sale or use of the product. This disclaimer applies both during and after the term of this warranty.

SINCLAIR EQUIPMENT COMPANY disclaims liability for any implied warranties, including implied warranties of "merchantability" and "fitness for a specific purpose", after the one year term of this warranty.

This warranty gives you specific legal rights, and you may have other rights which vary from state to state. Should you have any questions, contact SINCLAIR EQUIPMENT COMPANY at (530) 626-9386.

To obtain warranty service, deliver or send the complete tool, prepaid, to SINCLAIR EQUIPMENT COMPANY. Be sure to include the following information:

- Nature of failure;
- Name and address of distributor where tool was purchased;
- Application of tool when rendered defective; and
- Proof of purchase.

To obtain individual repair parts, contact SINCLAIR EQUIPMENT COMPANY with the following information:

- Tool model number;
- Item part number; and
- Description of part.

